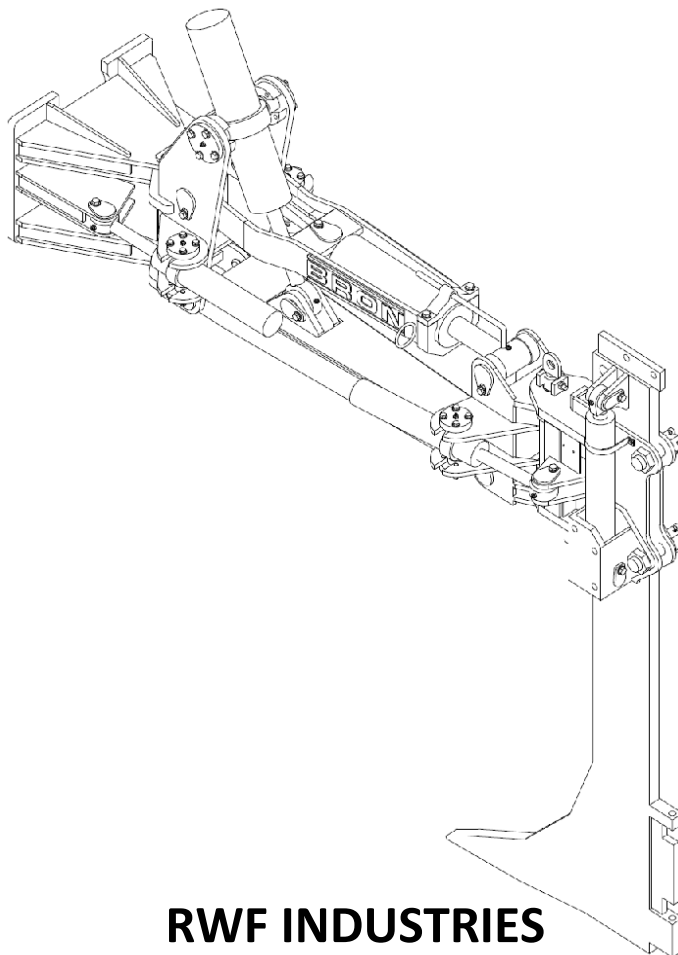


RWF BRON

HS-X-1 PLOW PARTS MANUAL



RWF INDUSTRIES

873 Devonshire Ave., Woodstock,

Ontario N4S 8Z4

Tel: (519) 421-0036

Toll Free: 1-800-263-1060

Fax: (519) 421-0028

Email: parts@rwfbron.com

GENERIC PARTS MANUAL

JANUARY 2015

THE INFORMATION CONTAINED IN RWF BRON PARTS AND OPERATOR'S MANUALS IS NOT TO BE REPRODUCED OR DISTRIBUTED TO ANY PERSON OTHER THAN THE INTENDED RECIPIENT

PLOW BREAKDOWN

TABLE OF CONTENTS

***BACKPLATE* 1**

***FRONT MAST* 2**

***UPPER LINK / ATTITUDE CYLINDER*..... 3**

***LOWER LINK*..... 4**

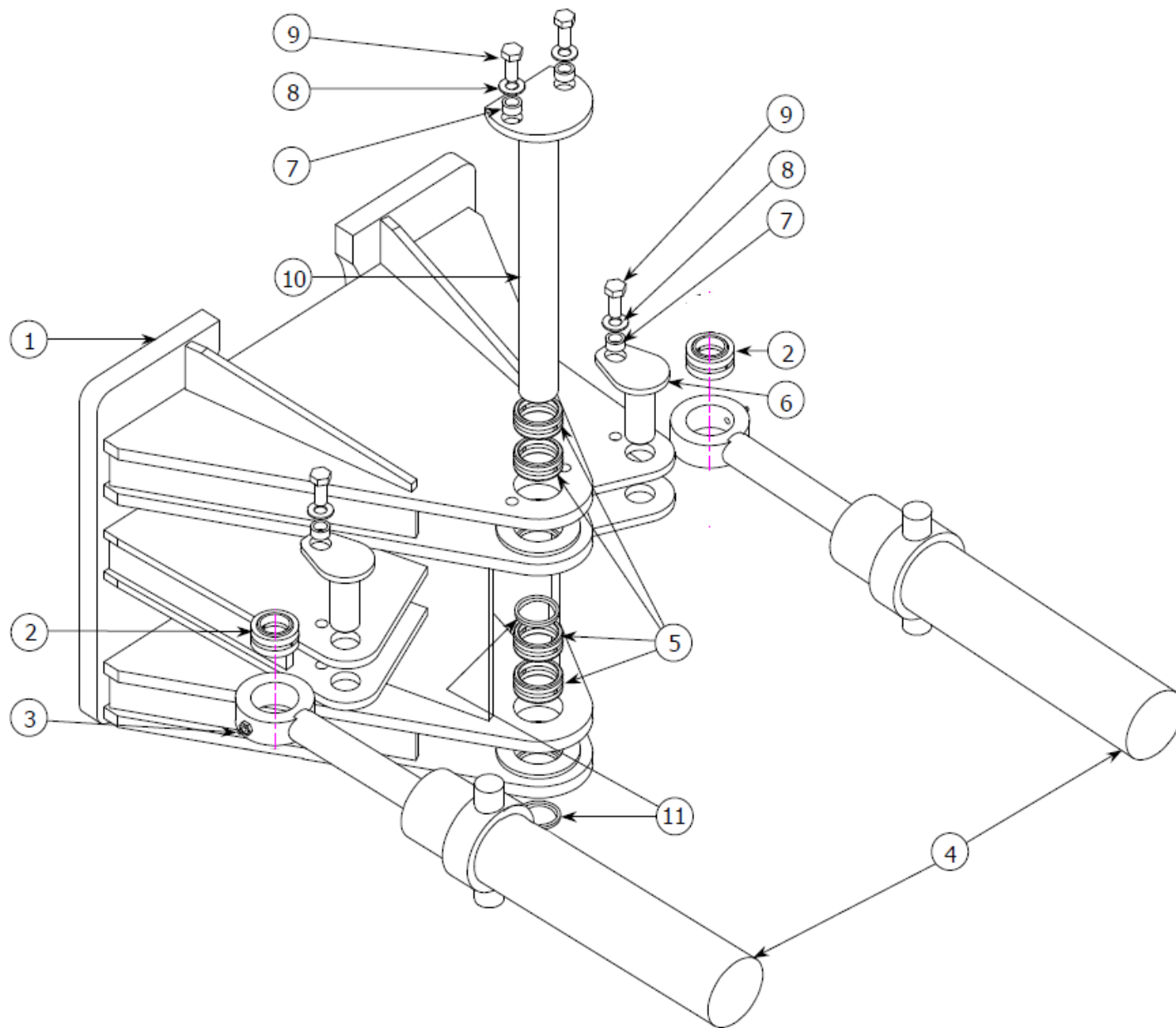
***REAR MAST*..... 5**

***BLADE HOLDER* 6**

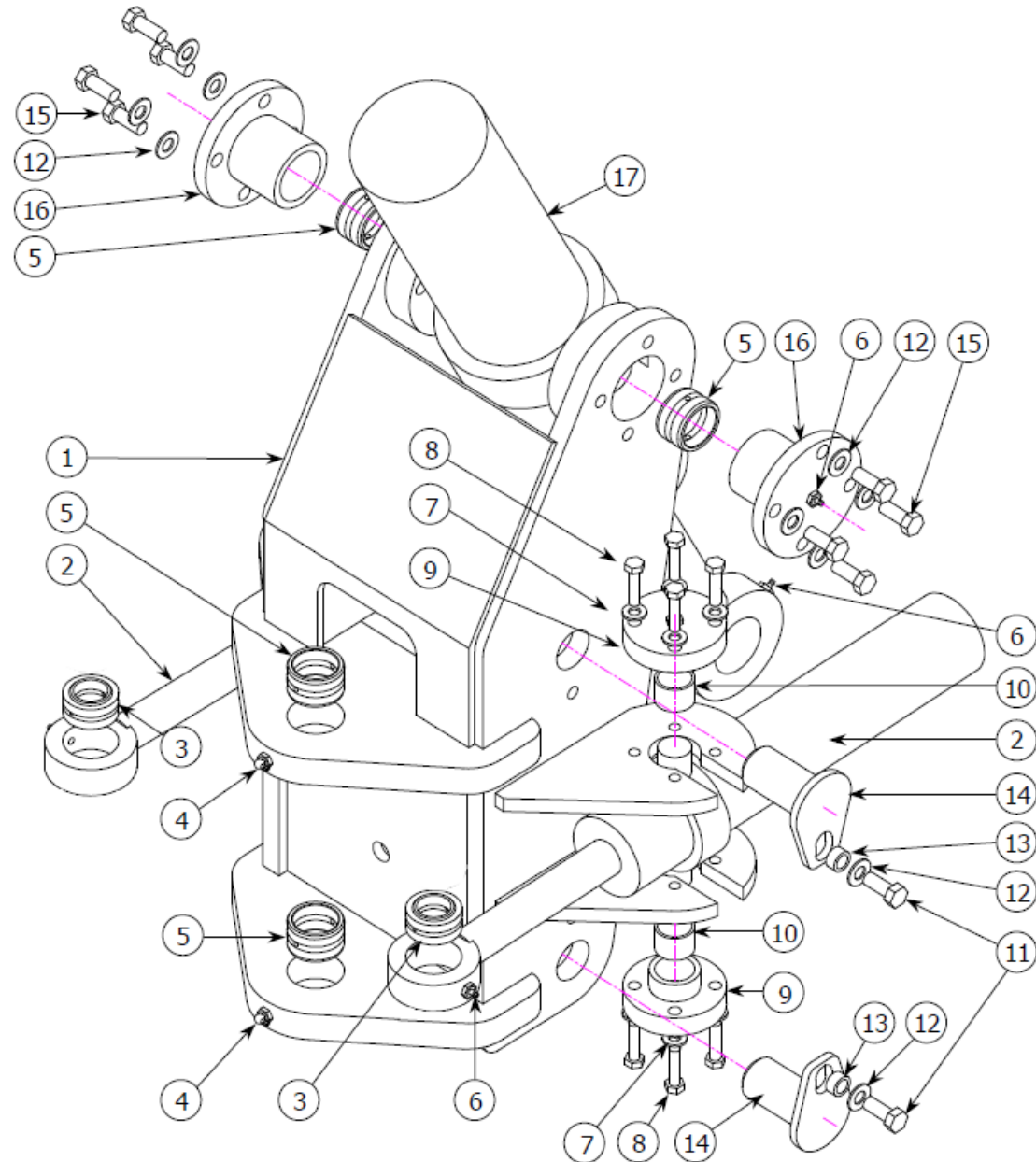
***SWING CYLINDER*..... 7**

***LIFT CYLINDER*..... 8**

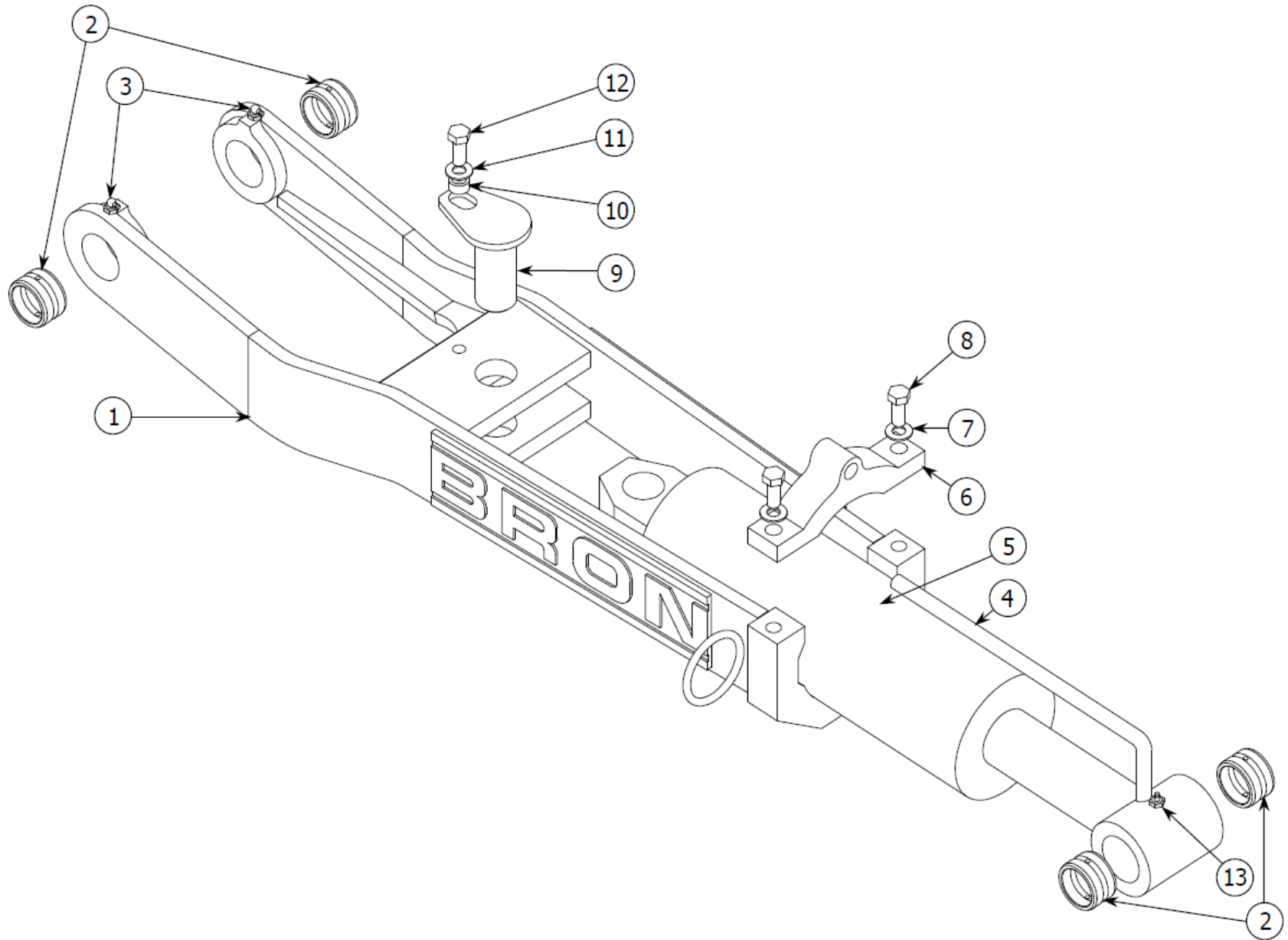
***BLADE LOCK CYLINDER*..... 9**



Item	Quantity	Part Number	Description
1	1	VARIOUS	BACKPLATE ASSEMBLY
2	2	10722	SWIVEL BUSHING
3	2	80680	STRAIGHT GREASE FITTING
4	2	13808	SWING CYLINDER (SEE SECTION 7 FOR ASSEMBLY BREAKDOWN)
5	4	15352	BUSHING
6	2	10494	PIN ASSEMBLY
7	4	115057	SPACER
8	4	80581	WASHER
9	4	80089	HEX HEAD BOLT
10	1	13886	PIN ASSEMBLY
11	2	REF	RETAINER PLATE

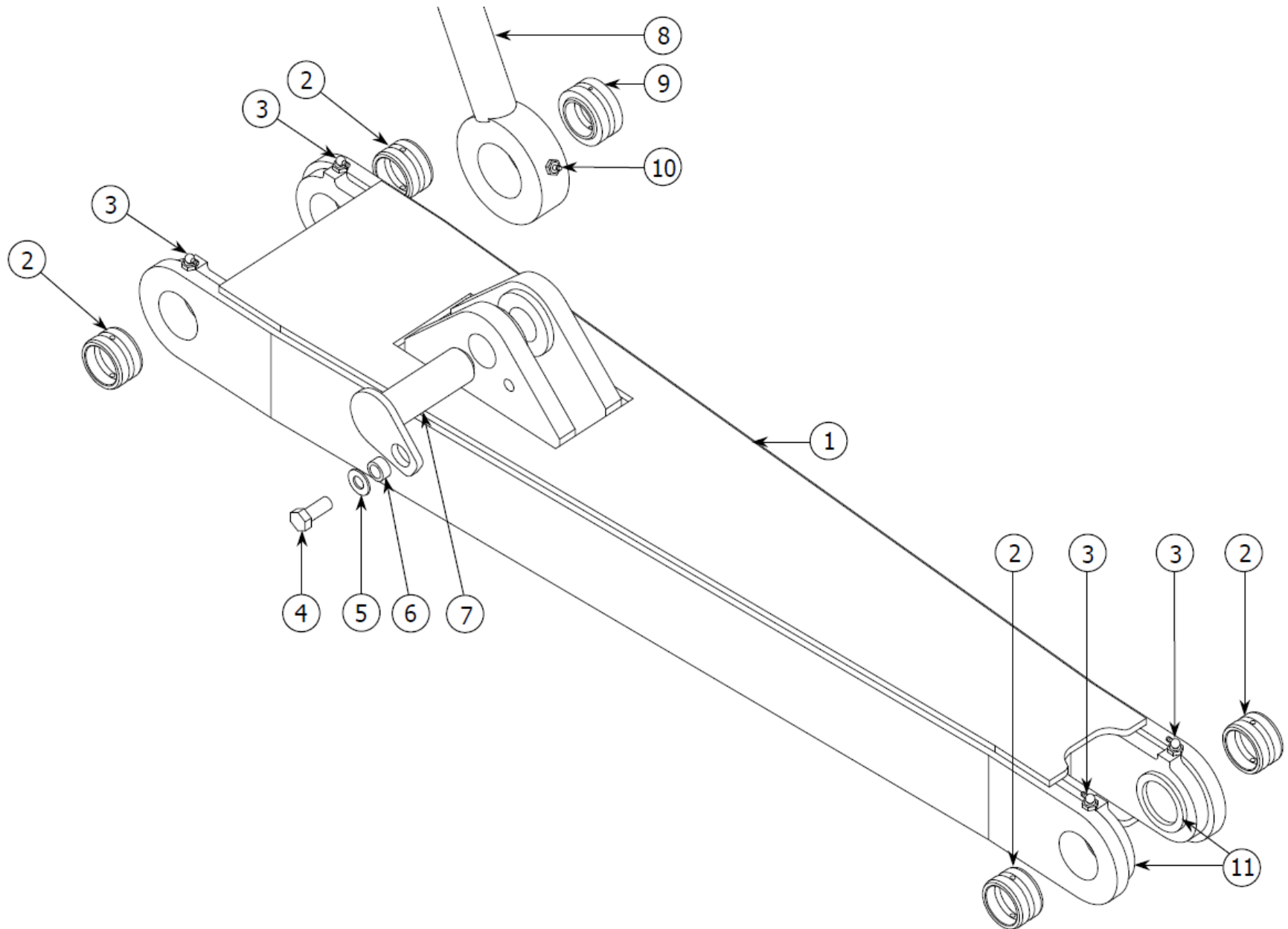


Item	Quantity	Part Number	Description
1	1	40426	FRONT MAST WELDMENT
2	2	13808	SWING CYLINDER (SEE SECTION 7 FOR ASSEMBLY BREAKDOWN)
3	2	10722	SWIVEL BUSHING
4	2	80682	90° GREASE FITTING
5	4	15352	BUSHING
6	9	80680	STRAIGHT GREASE FITTING
7	16	80580	WASHER
8	16	80073	HEX HEAD BOLT
9	4	13877	SWING CYLINDER TRUNNION
10	4	15351	BUSHING
11	4	80089	HEX HEAD BOLT
12	12	80581	WASHER
13	4	115057	BUSHING
14	4	10706	PIN ASSEMBLY
15	8	80091	HEX HEAD BOLT
16	2	13878	MAIN LIFT CYLINDER TRUNNION
17	1	13809	MAIN LIFT CYLINDER (SEE SECTION 8 FOR ASSEMBLY BREAKDOWN)

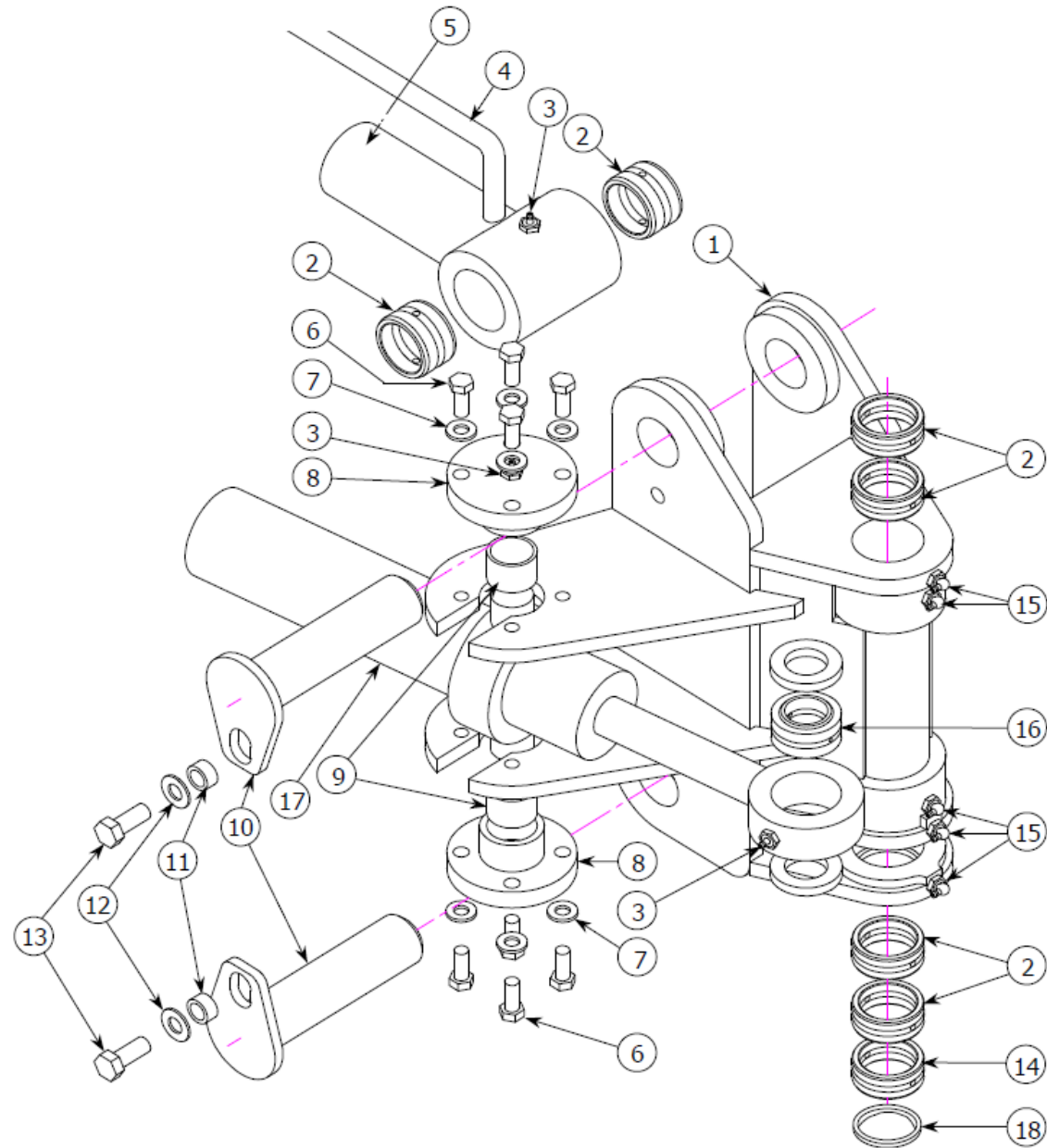


Item	Quantity	Part Number	Description
1	1	30356	UPPER LINK WELDMENT
2	4	15352	BUSHING
3	2	80682	90° GREASE FITTING
4	1	111781	INDICATOR
5	1	20238	ATTITUDE CYLINDER
*	1	11175	• BARREL WELDMENT
*	1	11178	• STOVER NUT
*	1	11177	• PISTON
*	1	11176	• ROD WELDMENT
*	1	11179	• GLAND
*	1	11180	• SEAL KIT
6	1	17783	CYLINDER CLAMP
7	2	80582	WASHER
8	2	80111	HEX HEAD BOLT
9	1	13891	PIN ASSEMBLY
10	1	115057	BUSHING
11	1	80581	WASHER
12	1	80089	HEX HEAD BOLT
13	1	80680	STRAIGHT GREASE FITTING

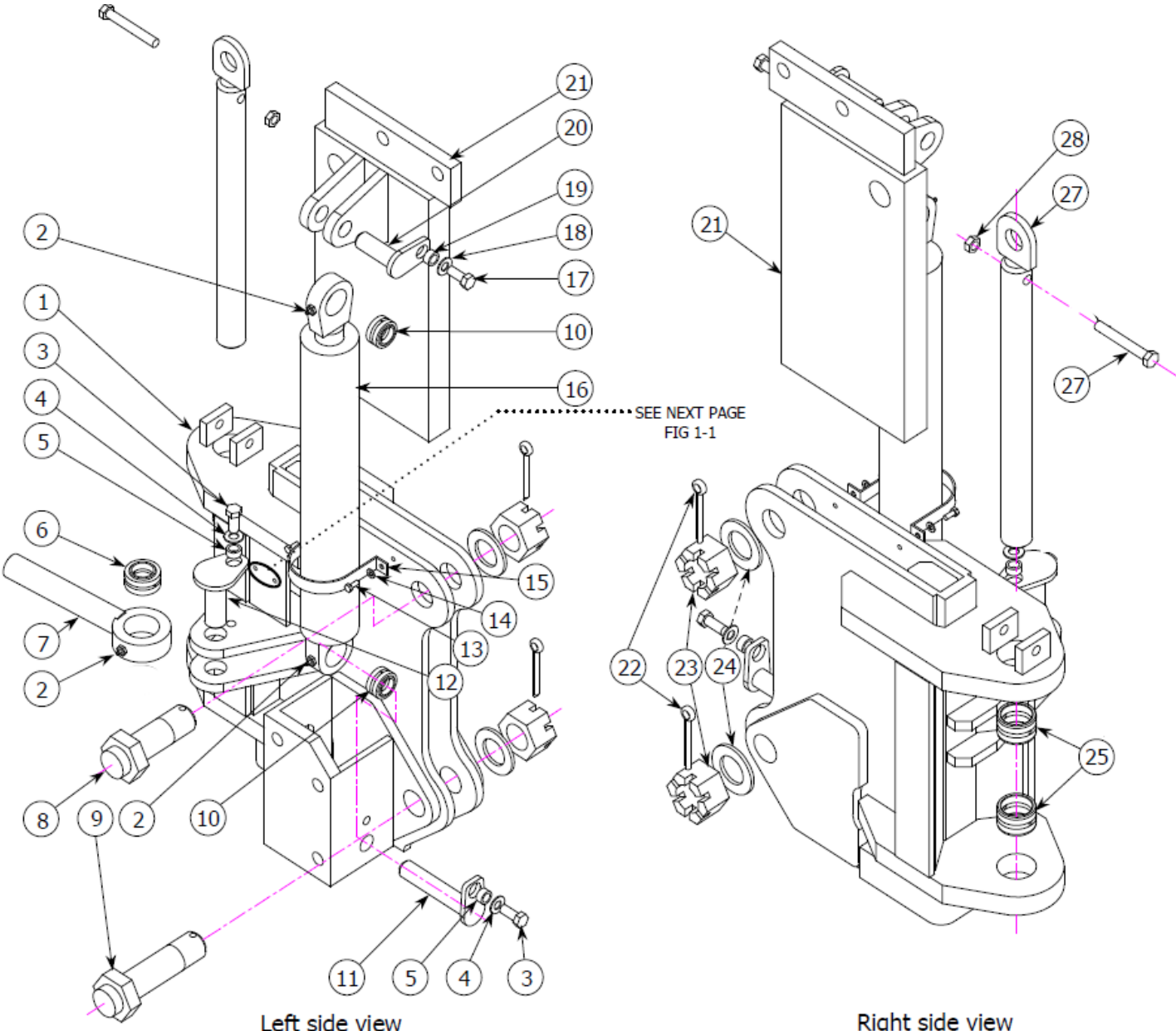
4 LOWER LINK (30358)



Item	Quantity	Part Number	Description
1	1	30358	LOWER LINK WELDMENT
2	2	115057	BUSHING
3	4	80682	90° GREASE FITTING
4	1	80089	HEX HEAD BOLT
5	1	80581	WASHER
6	4	15352	BUSHING
7	1	10498	PIN ASSEMBLY
8	1	13809	MAIN LIFT CYLINDER (SEE SECTION 8 FOR ASSEMBLY BREAKDOWN)
9	1	10729	SWIVEL BUSHING
10	1	80680	STRAIGHT GREASE FITTING
11	2	REF	RETAINER PLATE

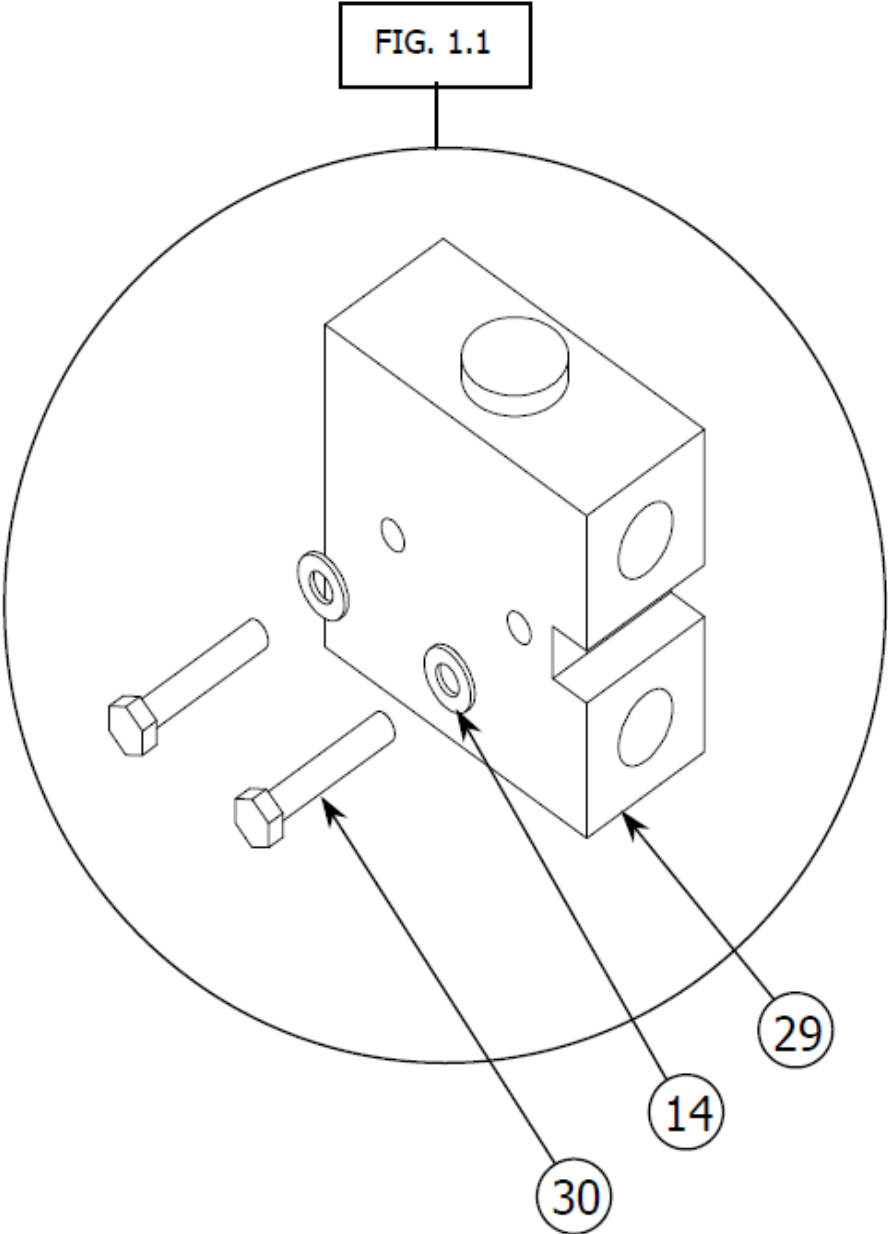


Item	Quantity	Part Number	Description
1	1	30357	REAR MAST WELDMENT
2	6	15352	BUSHING
3	4	80680	STRAIGHT GREASE FITTING
4	1	111781	INDICATOR
5	1	20238	ATTITUDE CYLINDER
6	8	80073	HEX HEAD BOLT
7	8	80580	WASHER
8	2	13877	SWING CYLINDER TRUNNION
9	2	15351	BUSHING
10	2	10496	PIN ASSEMBLY
11	2	115057	BUSHING
12	2	80581	WASHER
13	2	80089	HEX HEAD BOLT
14	1	15179	BUSHING
15	5	80682	90° GREASE FITTING
16	1	10722	SWIVEL BUSHING
17	1	13808	SWING CYLINDER (SEE SECTION 7 FOR ASSEMBLY BREAKDOWN)
18	1	REF	RETAINER PLATE

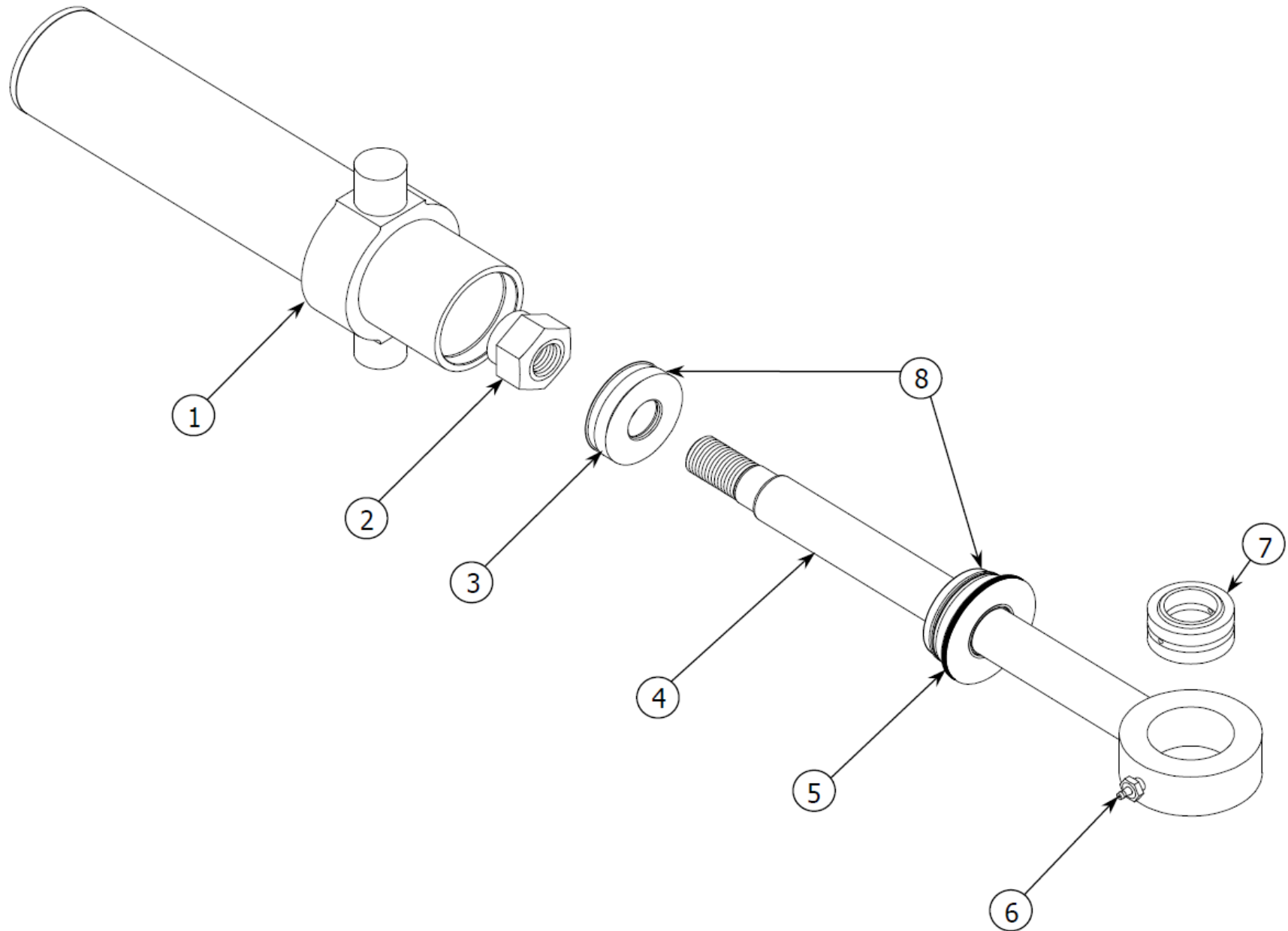


Left side view

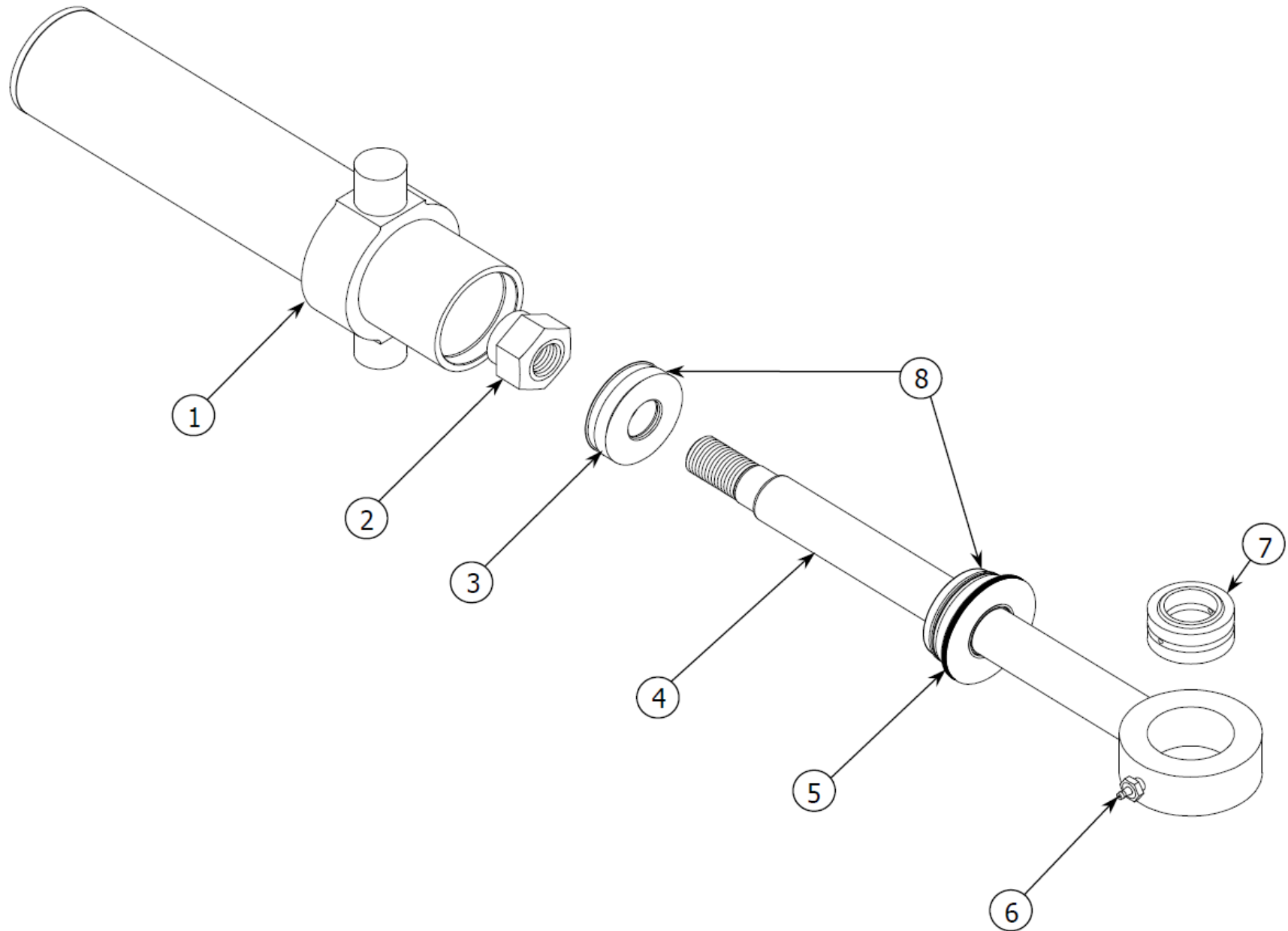
Right side view



Item	Quantity	Part Number	Description
1	1	30341	BLADE HOLDER WELDMENT
2	3	80680	STRAIGHT GREASE FITTING
3	2	80089	HEX HEAD BOLT
4	2	80581	WASHER
5	2	115057	BUSHING
6	1	10722	SWIVEL BUSHING
7	1	13808	SWING CYLINDER (SEE SECTION 7 FOR ASSEMBLY BREAKDOWN)
8	1	16064	PIN ASSEMBLY
9	1	10710	PIN ASSEMBLY
10	2	12981	SWIVEL BUSHING
11	1	13746	PIN ASSEMBLY
12	1	10494	PIN ASSEMBLY
13	2	80014	HEX HEAD BOLT
14	4	80564	LOCK WASHER
15	1	13175	GUARD
16	1	13744	BLADE LOCK CYLINDER (SEE SECTION 9 FOR ASSEMBLY BREAKDOWN)
17	1	80070	HEX HEAD BOLT
18	1	80580	WASHER
19	1	115800	BUSHING
20	1	12977	PIN ASSEMBLY
21	1	VARIOUS	BLADE
22	2	80660	COTTER PIN
23	2	81544	CASTLE NUT
24	2	11898	WASHER
25	2	15352	BUSHING
26	1	80101	HEX HEAD BOLT
27	1	13890	PIN ASSEMBLY
28	1	80516	LOCK NUT
29	1	13161	DOUBLE LOCK VALVE
30	2	80020	HEX HEAD BOLT



Item	Quantity	Part Number	Description
1	1 EACH	14122	BARREL WELDMENT
2	1 EACH	10719	STOVER NUT
3	1 EACH	14124	PISTON
4	1 EACH	14123	ROD WELDMENT
5	1 EACH	14125	GLAND
6	1 EACH	80680	STRAIGHT GREASE FITTING
7	1 EACH	10722	SWIVEL BUSHING
8	1 EACH	14126	SEAL KIT
9	3	13808	SWING CYLINDER

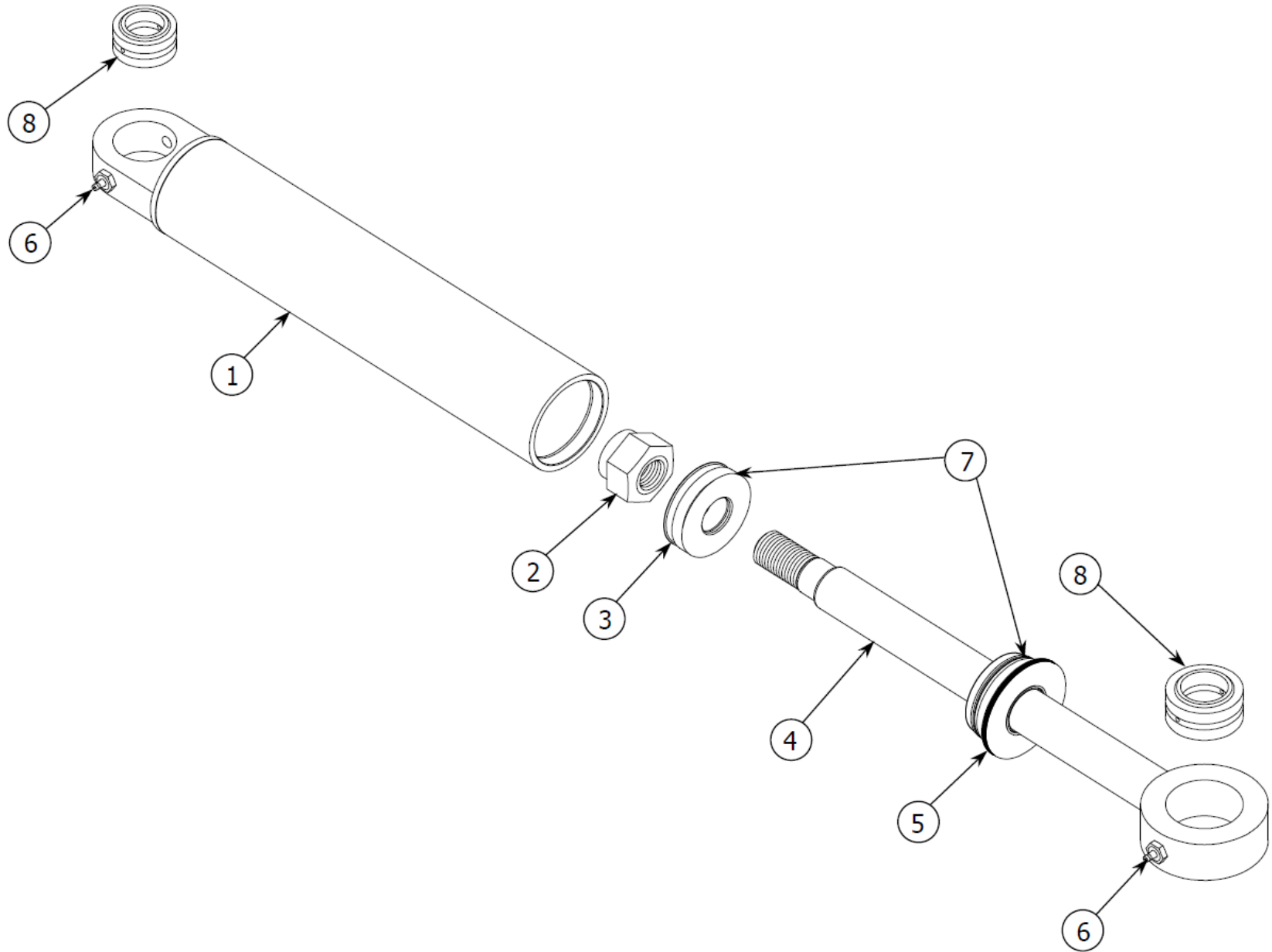


8 MAIN LIFT CYLINDER (13809)

HS-X-1

PARTS MANUAL

Item	Quantity	Part Number	Description
1	1	14117	BARREL WELDMENT
2	1	10726	STOVER NUT
3	1	14119	PISTON
4	1	14118	ROD WELDMENT
5	1	14120	GLAND
6	1	80680	STRAIGHT GREASE FITTING
7	1	10729	SWIVEL BUSHING
8	1	14121	SEAL KIT
9	1	13809	SWING CYLINDER



Item	Quantity	Part Number	Description
1	1	14127	BARREL WELDMENT
2	1	10719	STOVER NUT
3	1	13448	PISTON
4	1	14128	ROD WELDMENT
5	1	13449	GLAND
6	2	80680	STRAIGHT GREASE FITTING
7	1	13450	SEAL KIT
8	2	12981	SWIVEL BUSHING
9	1	13744	BLADE LOCK CYLINDER